

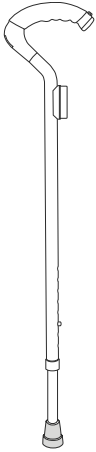
STICKu

優杖

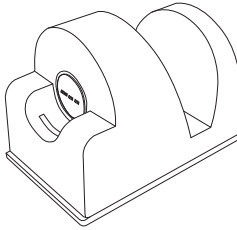
User Manual

Product Description

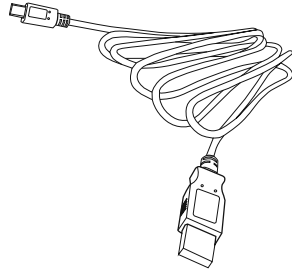
Box Contents



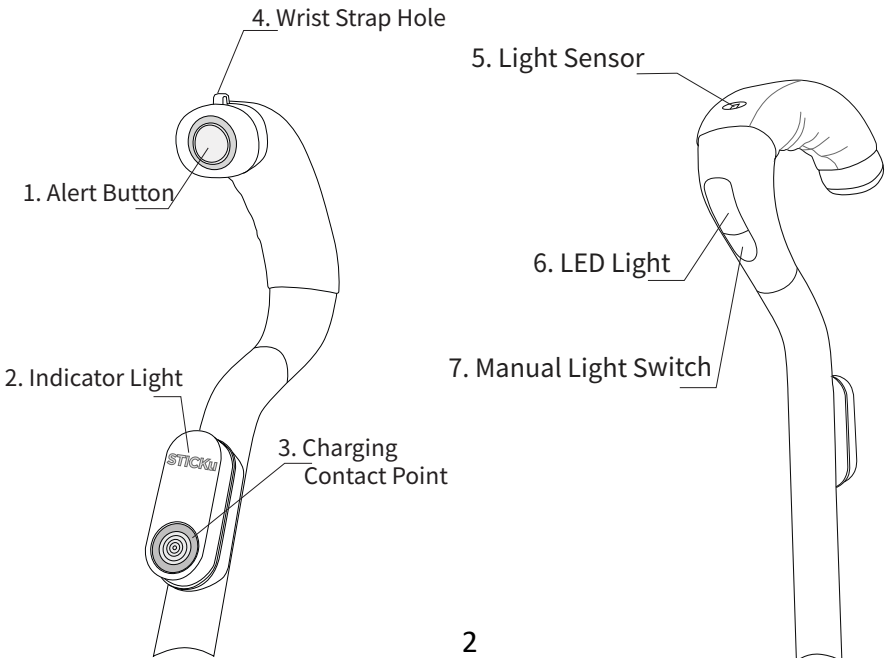
1. Cane x1



2. Charger x1



3. USB Cable x1

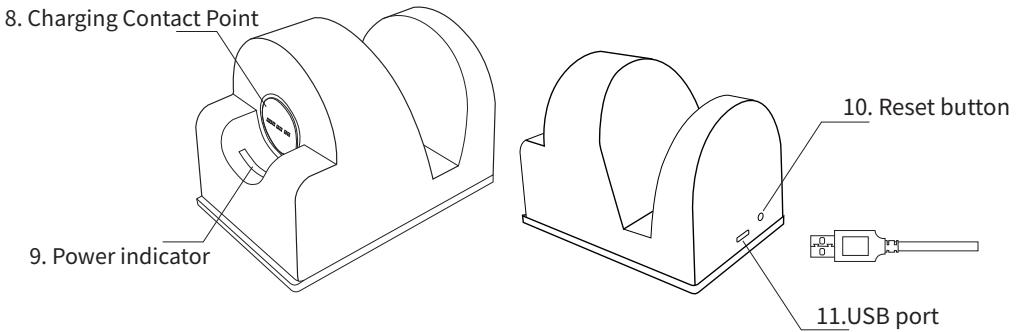


General Guide

STICKu is designed for both left-hand and right-hand users. It is recommended to hold in the middle of the handgrip with light facing in a forward position, as the pictures shown below.



Charger



Placing Charger:

Use the double-sided adhesive tape under the charger and place STICKu on a stable flat surface at your hand level.

(Pic. 2)



(Pic.1)



(Pic. 2)

(Pic. 1) Remove STICKu from the charger

(Pic. 2) Place STICKu on the charger

Battery

When the wireless charger is plugged in with the USB port, place STICKu on the charger (Picture 2), it will charge automatically, Please charge when it is in low battery.

STICKu Battery	Indicator light (paired with smartphone)	Indicator light (not paired with smartphone)
Full Battery	Green Light	Blinking Green
Low Battery	Red Light	Blinking Red

STICKu	Indicator light
Charging	Yellow Light
Fully charged	Green Light

Turn On STICKu

Ensure STICKu has shut down by checking there is no notification light on the cane.

Hold down the SOS button for 2-3 seconds until the notification light starts to blink green. (Please note that the SOS button can only be used for TURNING ON the STICKu)

Turn Off STICKu

Please open STICKu mobile application, click the button on the bottom right corner and select "Power Off STICKu" in Setting. STICKu will blink red light once and shut down.

Pair With Smartphone

Scan the QR code below or open "PlayStore" application to download "STICKu" application on smartphone.

(Please note that devices MUST be 7.0 or higher version of Android)



After downloading "STICKu" mobile application:

- 1) Register with your mobile number
- 2) Insert the SMS One-Time Password(OTP)
- 3) Fill in your basic personal information
- 4) Open "STICKu" mobile application
- 5) Click the button on the bottom right corner
- 6) Click "Pair with STICKu"
- 7) Scan the QR code provided with STICKu
- 8) Successfully paired

Notices :

1. Ensure that your STICKu is fully charged before using
2. Turn on Bluetooth and CPS Location Access of your smartphone before pairing with STICKu.

Features

1. LED Light (automatic switch)

When you are holding the handgrip, the LED light will turn on in a dark environment and turn off in a bright environment. It will also turn off when you are not holding the handgrip.

2. LED Light (manual switch)

When you are holding the handgrip, touch the Manual Light Switch under the LED Light to switch on/off the LED Light, it will turn off when you are not holding the handgrip.

3. Warming Handgrip (automatic switch)

When you are holding the handgrip under 15°C, the handgrip will start to generate warmth. (Notice: warming process takes time and feeling of temperature may depend on the environment and sensation.)

This function will switch off when you are not holding the handgrip.

Firmware Update

Open "STICKu" mobile application with the connection of your STICKu. Click "Cane Setting" to follow the software update instructions.

Restore Factory Defaults

Please follow the guidelines below:

1. Unplug the USB cable port
2. Place your STICKu on the charger
3. Gently insert a small object into the Reset Button next to the USB Cable Plug
4. Apply a small amount of pressure until STICKu emits "beep" for 3 times
5. STICKu automatically switches off
6. STICKu has successfully restored factory defaults. Please restart STICKu to use

General Safety

Warning: To prevent the risk of electric shock, please do not disassemble and repair without professional technicians' advise.

1. Do not use this product in humid and hot temperature environment (e.g. bathroom)
2. Do not put combustibile and flammable materials near the vents. Do not block the vents
3. Keep the notification light away from babies, children and domestic animal eyes
4. Keep the product away from excessive heat sources
5. Do not use chemical agents such as detergents while cleaning the external surface of your product. Please turn your product off before cleaning
6. Do not expose the product to liquids

Specification

	Item	Description
Cane (STICKu)	Bluetooth	5.0
	Voltage	5V
	Current	1.0A
	Dimension	17cm(L), 3.8cm(W), 76-92cm(H)
	Weight	~610g
	Battery Capacity	5000mAh
	Charging Time	4-6 hours
	Battery Type	Lithium polymer battery
	<hr/>	
Charger	Input/output voltage	5V
	Input/output current	1.0A
	Dimension	8.7cm(L), 6cm(W), 6.5cm(H)
	Weight	~180g

Warranty & Maintenance

A one year warranty is included when you purchase a new STICKu. In case of any dispute, the company reserves the right of final decision.

The customer shall NOT have any claim under this warranty for repair or adjustment expenses if:

- The problem is caused by improper repair or adjustment made by anyone other than BNET-TECH
- The problem is caused by improper, rough or careless treatment mentioned in the User Manual including impact and water damage

Email: support@bnet-tech.com (Technical Support)



BNET-TECH Company Limited
必靈科技有限公司

User Manual Version: v1.2.4e